



TBJ Downdraft Workstations

TBJ
INCORPORATED



TBJ Downdraft Workstations: Custom Solutions for Research Labs

TBJ's Downdraft Tables are designed to provide a ventilated workstation for animal necropsies, surgeries, perfusions, and dissections. Tables pull air, odors, vapors, and aerosols down and away from the face of personnel when connected to a negative air source. Chemicals such as formalin, alcohol, and xylene are controlled and can be kept below OSHA-permissible exposure limits, providing a health-safe work environment.

TBJ is committed to the design and production of laboratory equipment that is highly functional, versatile, durable, and easy to clean and maintain. These specialty downdraft tables and stations are excellent examples of TBJ's unwavering commitment to provide equipment that meets the exact needs of the researcher.

A complete line of optional accessories including height adjustability allows you to equip every table to meet your specific needs. (See TBJ's optional accessories brochure for detailed accessory information.)

Installation of TBJ tables is quick and easy – in new or existing facilities. There are virtually no extraordinary renovation costs to be incurred.

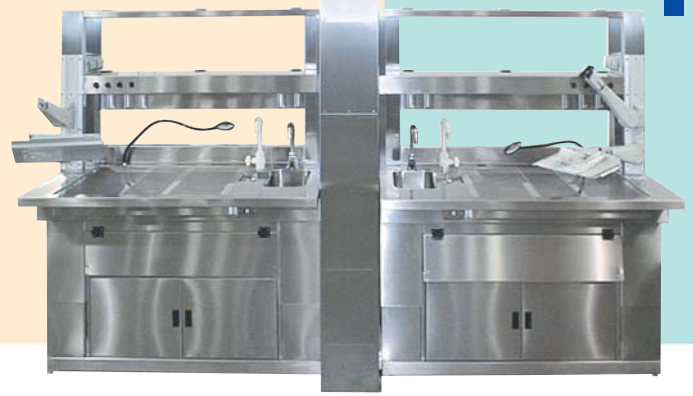
Standard Design and Construction Features You Can Count On

- Factory air testing to adjust and balance air flow across the table surface provides an even downdraft velocity
- T316 stainless steel construction with a #4 finish
- Heliarc welded construction



- All exposed welds ground and polished
- Factory pre-wired and pre-piped for single point connection to utilities
- Removable access panels for easy accessibility to electrical and plumbing components make installation and maintenance easy
- Double pedestal design provides knee space that allows for standing or seated use
- Built-in rinse system with control valve
- Hand spray assembly with control valve and recoil hose
- Removable stainless steel (T316) perforated work surface panels with a 1/4" recess below the table perimeter to contain fluids
- Large air plenum
- Manual air flow control damper
- Large single compartment sink with swivel gooseneck faucet (on "S" models)





Standard Size TBJ Tables: A Large Selection to Choose From

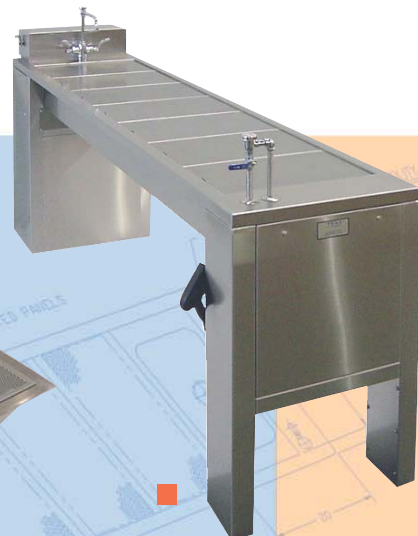
There is a full range of standard models that allows you to select a table that meets your specific application and needs. Tables are available in three standard widths:

- 24 Series is 24" wide
- 30 Series is 30" wide
- 36 Series is 36" wide

Standard table lengths are available in increments of 12", most starting at 48" in length up to a maximum length of 120". Tables with a model number with the suffix "S" include a sink and faucet.

Model Descriptions:

- **Drop-in Downdraft Workstations** – Designed to "drop-in" to counter tops and casework
- **Dual-user** – Provides dual downdraft work areas separated by a central sink.
- **Multi-user** – Provides 3 or more downdraft work stations in a single unit. Island units provide up to (8) down work stations.
- **34 Series** – Similar in design to the 24, 30 and 36 series tables, the duct connection on the "long" side of the table allows installation similar to casework instead of perpendicular to a wall
- **Semi-Enclosed** – Downdraft units with a hood and hinged viewing window to maximize containment
- **Mobile** – Portable downdraft workstations with quick-connect to building exhaust
- **Anatomy** – Designed specifically for anatomy teaching facilities
- **Grossing Stations** – Downdraft grossing stations for histology applications
- **Custom Designs** – Let TBJ solve your unique custom requirements





24 Series --24" Table Width

Table Length	48"	60"	72"	84"	96"	108"	120"
Model Number	24-48	24-60	24-72	24-84	24-96	24-108	24-120
	24-48-S	24-60-S	24-72-S	24-84-S	24-96-S	24-108-S	24-120-S

30 Series -- 30" Table Width

Table Length	48"	60"	72"	84"	96"	108"	120"
Model Number	30-48	30-60	30-72	30-84	30-96	30-108	30-120
	30-48-S	30-60-S	30-72-S	30-84-S	30-96-S	30-108-S	30-120-S

36 Series -- 36" Table Width

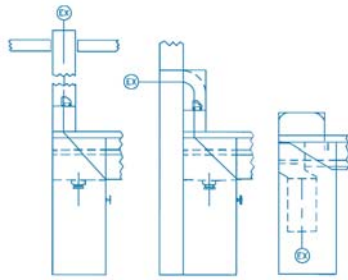
Table Length	48"	60"	72"	84"	96"	108"	120"
Model Number	36-48	36-60	36-72	36-84	36-96	36-108	36-120
	36-48-S	36-60-S	36-72-S	36-84-S	36-96-S	36-108-S	36-120-S



Partner With TBJ!

Let TBJ work for you. To learn more about TBJ's unique product line and customized accessories, contact your sales representative or please call!

TBJ
INCORPORATED



Ventilation Through Ceilings, Walls or Floors

Ducting Options Offer Maximum Flexibility

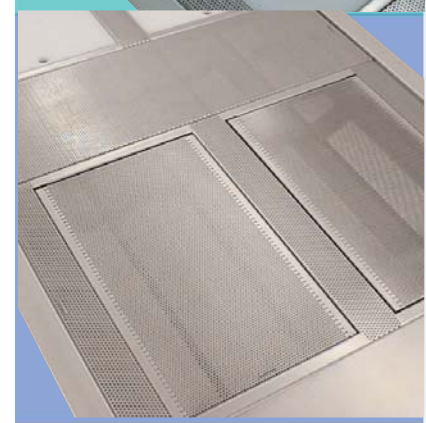
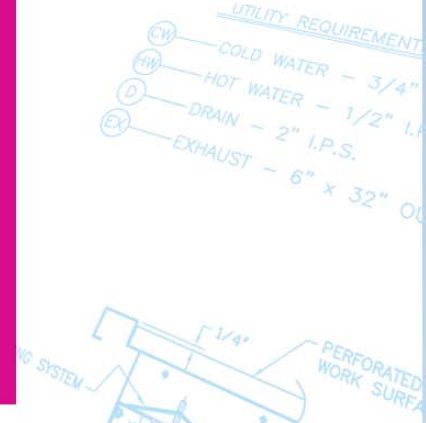
Because TBJ can adapt the duct connection point, duct connection shape, and other utility requirements to meet your specific construction needs, tables can be easily installed into both existing and new facilities.

Work Surfaces Designed to Meet Your Needs

Work surface panels on TBJ tables can be fully perforated, perimeter perforated, or designed with custom inserts providing the flexibility needed to quickly and easily change the work surface from procedure to procedure. The table can be equipped with one sink, two sinks, or none at all. This customization, to meet your specific needs, makes TBJ tables a favorite of professionals.

Comfortable Work Surface Height

TBJ tables are available with a fixed work surface height or with an optional height adjustment package. Standard fixed height tables measure 36". They can also be easily customized to most specific heights. The push-button height adjustment package can be added to all TBJ tables. Typical travel heights are 6" for adjustment from 30" to 42", with a maximum of 14" of travel possible.





TBJ Custom Products:

Laboratory Workstations

Downdraft Workstations
Backdraft Workstations
Downdraft/Backdraft Combination
Non-Vented Workstations
Semi-Enclosed Workstations
Hydraulic Workstations

Specialty Casework

Custom Stainless Steel Fabrications
Cabinets
Casework
Shelving
Storage Carts
Stainless Steel Sinks

Animal Care Equipment

Scrapping Stations
Dispensing Stations
Bottle Filling
Prep Tables
Transportation Carts/Cages
Surgery Tables

Options and Accessories

Over 40 standard options
to choose from

TBJ
INCORPORATED

1671 Orchard Drive
Chambersburg, PA 17201
Phone: (717) 261-9700
Fax: (717) 261-1730
www.tbjinc.com
e-mail: tbj@innernet.net

